


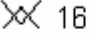
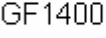

Specification Status: Released

Electrical Rating

Voltage: 16V MAX
Current: 100A MAX

Insulating Material:
Cured, Flame Retardant Epoxy Polymer
meets UL94 V-0 Requirements

Lead Material:
18 AWG Tin Plated Copper
(1.0mm [0.040] nom. diameter)

Marking:
 Manufacturer's Mark and Voltage
 16
 GF1400 — Part Identification
 Lot Identification (can be on back)

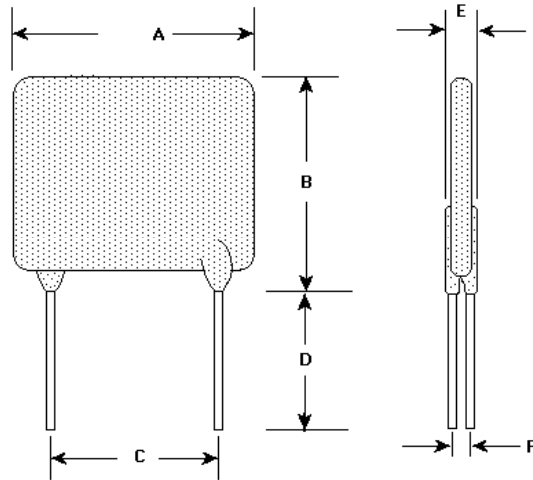


TABLE I. DIMENSIONS:

	A		B		C		D		E		F
	MIN	MAX	MIN	MAX	MIN	MAX	MIN	MAX	MIN	MAX	TYP
mm	22.4	23.5	22.6	27.9	9.4	10.9	7.6	--	2.3	3.5	1.4
in*	(0.88)	(0.925)	(0.89)	(1.10)	(0.37)	(0.43)	(0.30)	--	(0.09)	(0.14)	(0.06)

*Rounded off approximation

TABLE II. PERFORMANCE RATINGS:

I HOLD RATED CURRENT	CURRENT RATINGS		INITIAL RESISTANCE VALUES		TIME TO TRIP	R ₁ MAX 1 HR. POST TRIP RESISTANCE STANDARD TRIP	TRIPPED-STATE POWER DISSIPATION
AMPS AT 25°C HOLD	AMPS AT 25°C HOLD	AMPS AT 25°C TRIP	OHMS AT 25°C		SECONDS AT 25°C, 70A MAX	OHMS AT 25°C MAX	WATTS AT 25°C TYP
			MIN	MAX			
14.0	14.0	23.8	0.0026	0.0043	9.0	0.0064	4.6

Agency Recognitions:
Reference Documents:
Precedence:
Effectivity:
CAUTION:

UL, CSA, TUV.
PS300
This specification takes precedence over documents referenced herein.
Reference documents shall be the issue in effect on the date of invitation for bid.
Operation beyond the rated voltage or current may result in rupture, electrical arcing or flame.

Materials Information

ROHS Compliant **ELV Compliant** **Pb-Free**

